

VS3000/VS3020 COBRA

OVERHEAD PROJECTORS SERVICE MANUAL

(Rev. 1:10/25/00)

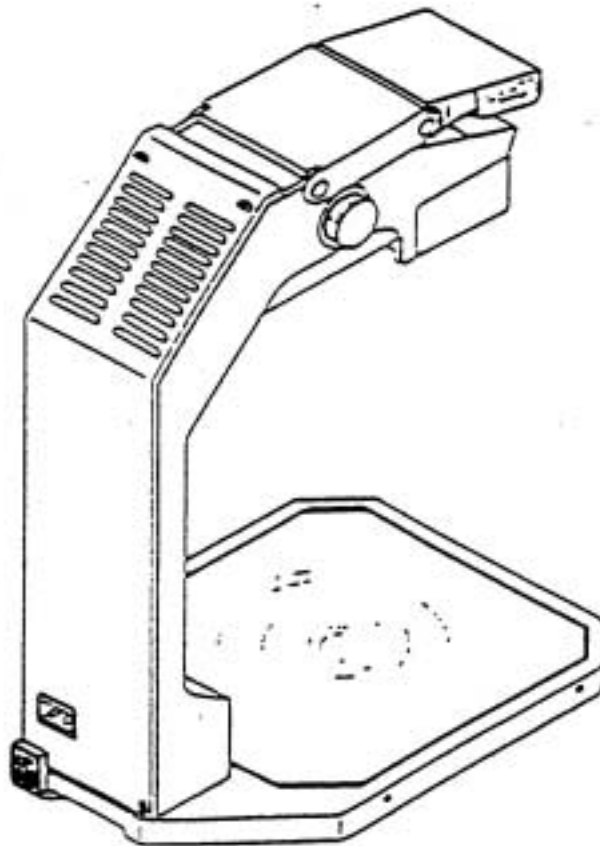
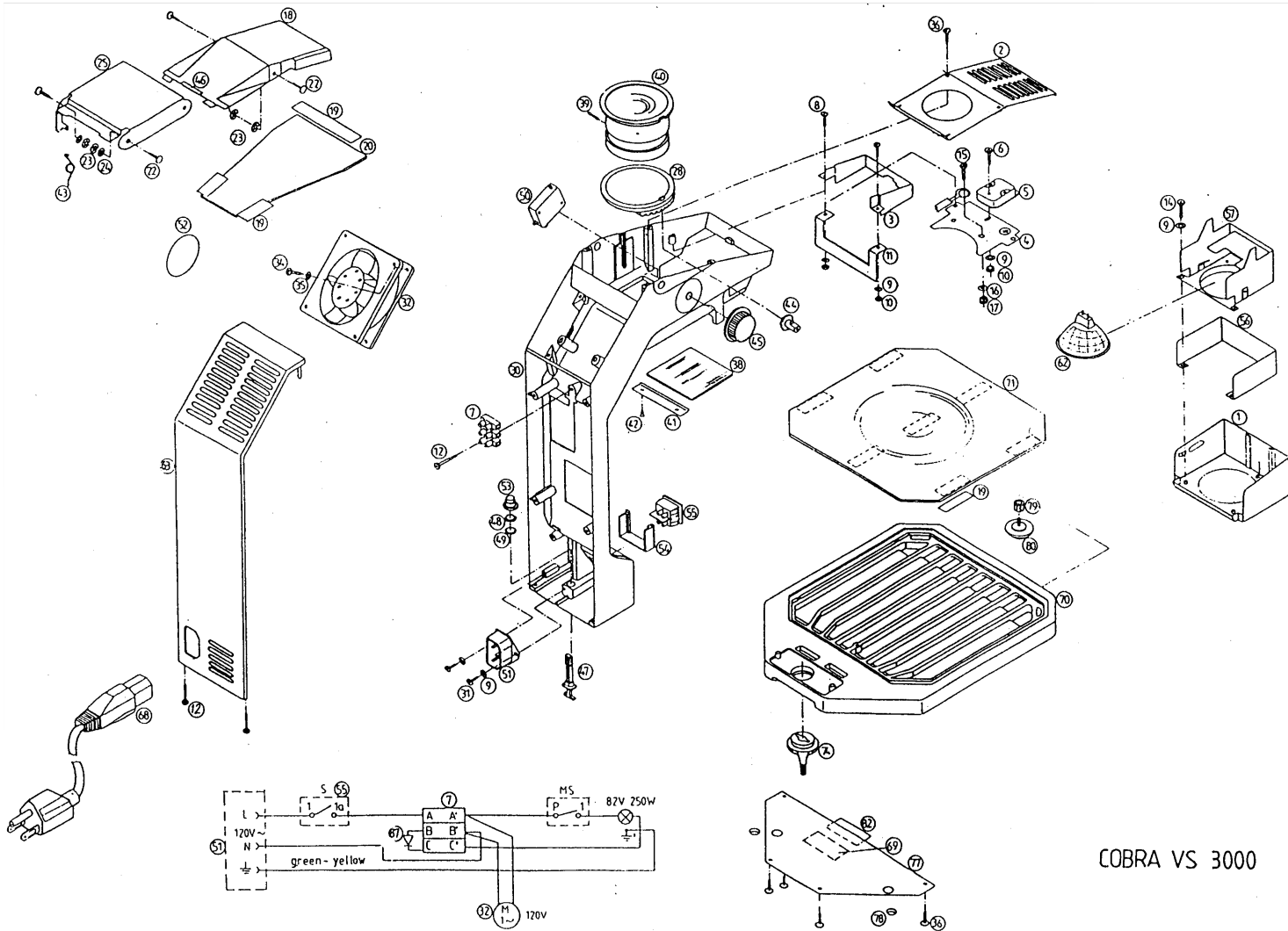


Figure 1VS3000



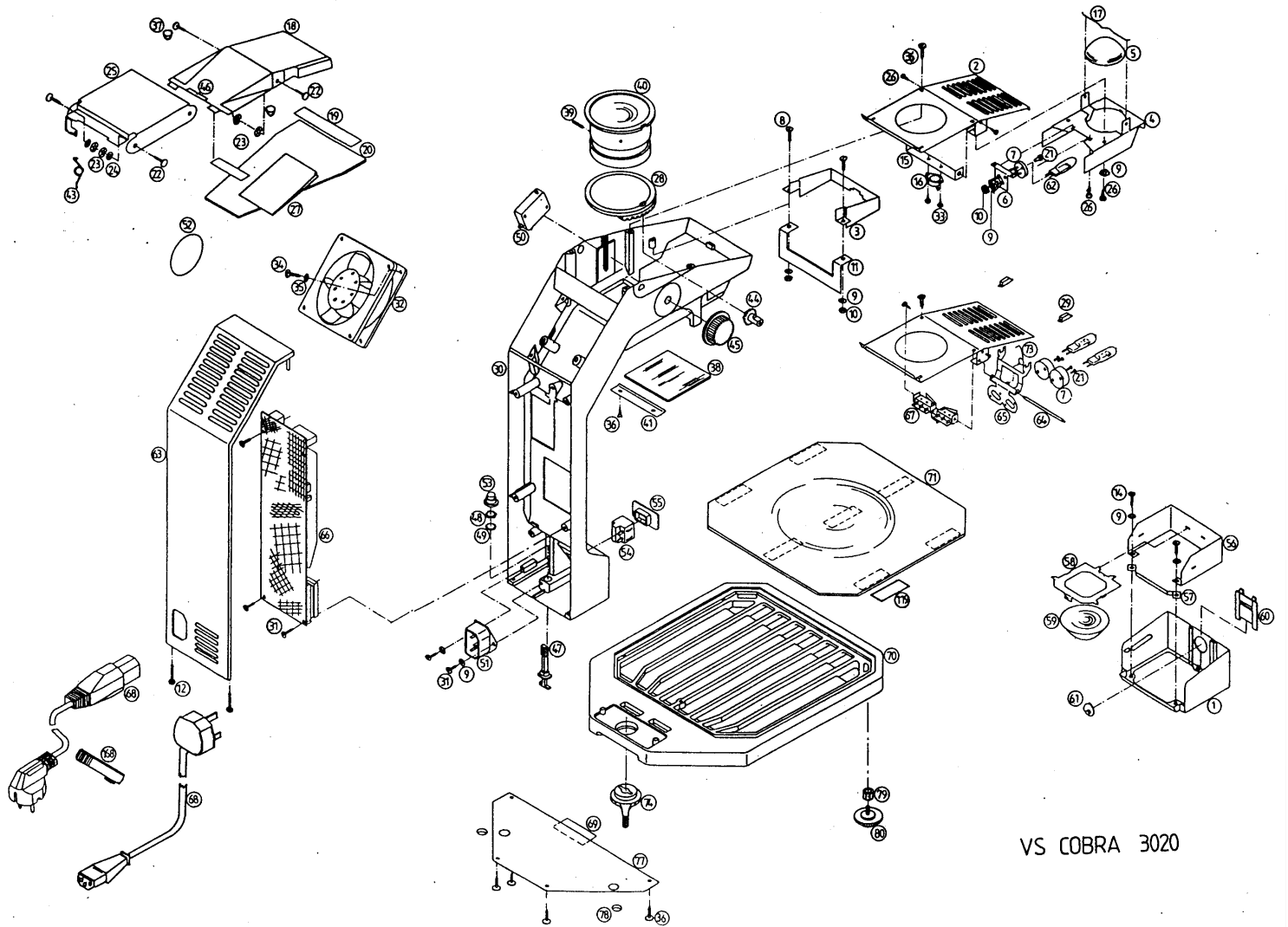
COBRA VS 3000

COBRA VS3000

Item	Part Number	Item	Quantity
1	041 113 390	CARRIER ASSEMBLY, COMPLETE (Inc. 56-57)	1
	041 114 300	HOUSING OF LAMP HOLDER	
2	041 203 779	PROTECTING COVER-FRAME	1
3	041 113 311	SCREEN 3	1
4	041 113 307	SOCKET HOLDER	1
5	755 409 613	SOCKET QEH-1 1 L400	1
6	091 001 102	SCREW M3 X 16	1
7	094 008 854	TERMINAL BLOCK	1
8	091 017 595	SCREW M 3X25	2
9	091 009 969	WASHER A 3	3
10	091 004 786	NUT M3	6
11	041 113 310	SHIELD 2	1
12	091 041 006	SCREW PT KA 30X16	3
14	091 012 623	SCREW A 2.9X6.5	3
15	091 017 144	SCREW M 3.5X8 DIN 7985 A	1

16	091 009 969	WASHER A4,3	1
17	091 004 786	HEXAGONAL NUT M3.5 DIN 934	1
18	041 113 785	MIRROR BODY	1
19	720 000 218	DOUBLE COATED FOAM TAPE 70438 -25X0,4	0
20	041 113 654	SURFACE MIRROR	1
22	041 113 782	AXLE	4
23	091 045 001	RETAINER *4 BN 833	4
24	091 012 596	WASHER M6 DIN 126	2
25	041 203 713	MIRROR HOLDER	1
28	041 103 843	RACK WHEEL	1
30	041 114 305	HOLDER	1
31	091 012 623	SCREW PT KA 3OX10 BN 2736	2
32	681 002 207	FAN	1
34	091 015 142	SCREW PT A 3.5X13	2
35	091 021 596	WASHER B4	2
36	091 014 391	SCREW PT A 2.9X9.5	4
38	041 113 324	PROTECTION GLASS	1
39	041 113 317	OBJECTIVE PIN	1
40	041 222 030	VARIFOCAL LENS F 335-380 (Inc. 18-19)	1
41	041 103 915	PLATE	1
42	091 014 389	SCREW A 2.9X6.5	2
43	041 113 331	SPRING	1
44	041 113 314	GEAR	1
45	041 113 334	FOCUS KNOB	1
46	707 000 455	TAPE*L OX4	0
47	041 113 779	LOCKING PIN	1
48	091 004 791	HEXAGONAL NUT M 8	1
49	041 113 413	WASHER B 8	1
50	755 300 417	MICROSWITCH CHERRY	1
51	755 409 037	POWER ENTRY MODULE	1
53	041 113 400	PROTECTION COVER	1
54	041 113 780	ADAPTER MAIN	1
55	633 009 948	SWITCH 2-P H4-29 SIGMA	1
56	041 113 309	SHIELD 1	1
57	041 213 303	LAMP HOLDER	1
62	EVW	LAMP EVW 82V 250W	1
63	041 113 786	COVER HOLDER	1
68	AC2000-249	3-POLE CONNECTION CABLE	1
69	041 103 997	TECHNICAL LABEL	1
70	041113 784	PLATE	1
71	041 113 385	FRESNEL MIRROR	1
74	041 113 330	LATCH	1
77	041 103 914	PLATE COVER	1
78	755 409 044	SELF ADHESIVE LEG 3M SJ 5312	3
82	041 116 083	SERVICE LABEL	1
87	623 003 095	DIODE 10A,600V	1

Figure 2 VS3020



VS COBRA 3020

COBRA VS3020

Item	Part Number	Identification	Quantity
1	041 114 309	HOUSING OF LAMPHOLDER	1
2	041 203 720	PROTECTION COVER	1
3	041 103 823	SCREEN	1
4	041 103 824	MIRROR HOLDER	1
5	041 103 155	MIRROR AL	1
7	755 409 627	LAMP SOCKET	2
8	091 017 595	SCREW M 3X25	2
9	091 009 969	WASHER B 3 DIN 137 B	6
10	091 004 786	NUT M3	3
11	041 113 310	SHIELD 2	1
12	091 041 006	SCREW PT KA 30X16	2
14	091 014 389	SCREW A 2.9X6.5	3
17	041 103 827	MIRROR SPRING	1
18	041 103 803	MIRROR BODY	1
19	720 000 218	DOUBLE COATING FOAM TAPE	0
20	041 113 654	SURFACE MIRROR	1

21	091 015 370	SCREW M 3X12	4
22	041 113 782	BOLT	4
23	091 045 001	RETAINER *4 BN 833	4
24	091 033 002	WASHER M6 DIN 126	2
24	041 203 713	MIRROR HOLDER	1
26	091 054 002	SCREW M3X3	4
27	041 113 792	HEAT PROTECTOR	1
28	041 103 843	RACK WHEEL	1
29	041 103 887	LEVER	2
30	041 113 783	ARM	1
31	091 041 001	SCREW PT KA 30X1 0 BN 13577	6
32	755 409 435	FAN	1
34	091 041 005	SCREW PT KA 35X14	2
35	091 009 879	WASHER A4	2
36	091 014 391	SCREW PT KA 30X1 0 BN 13576	4
37	755 409 045	SELF ADHESIVE LEG	2
38	041 113 324	PROTECTION GLASS	1
39	041 103 834	OBJECTIVE PIN	1
40	041 222 063	VARIFOCAL LENS F 335-380	1
41	041 103 915	PLATE	1
43	041 113 331	SPRING	1
44	041 103 835	PINION	1
45	041 113 334	FOCUS KNOB	1
46	707 000 455	TAPE*10X4	0
47	041 113 779	BLOCKADE PIN	1
48	091 004 791	HEXAGONAL NUT M 8	1
49	041 113 413	WASHER B 8	1
50	755 303 020	MICROSWITCH CHERRY	1
51	755 409 037	POWER ENTRY MODULE	1
53	041 113 400	PROTECTION COVER	1
54	633 009 948	SWITCH SR*421XI	1
55	041 113 361	SWITCH KEY	1
56	041 103 817	SHIELD	1
57	041 103 818	SHUTTER	1
58	041 103 841	CONDENSER HOLDER	1
59	041 103 841	BOOSTER	1
60	041 107 177	BLOCKADE	1
61	041 107 178	LOCK	1
62	EHJ	LAMP EHJ 24V/250W	2
63	041 114 307	COVER HOLDER	1
64	041 103 879	AXLE	1
65	041 103 876	LEVER	1
66	041 103 904	POWER SUPPLY	1
67	041 203 757	SWITCHING PLATE	1
68	041 203 046	POWER CABLE	1
69	041 103 811	TECHNICAL LABEL	1
70	041 113 784	PLATE	1
71	041 103 851	FRESNEL MIRROR	1
73	041 103 090	SPRING	1
74	041 113 330	LATCH	1
77	041 103 914	PLATE COVER	1
78	755 409 044	SELF ADHESIVE LEG 3M SJ 5312	3