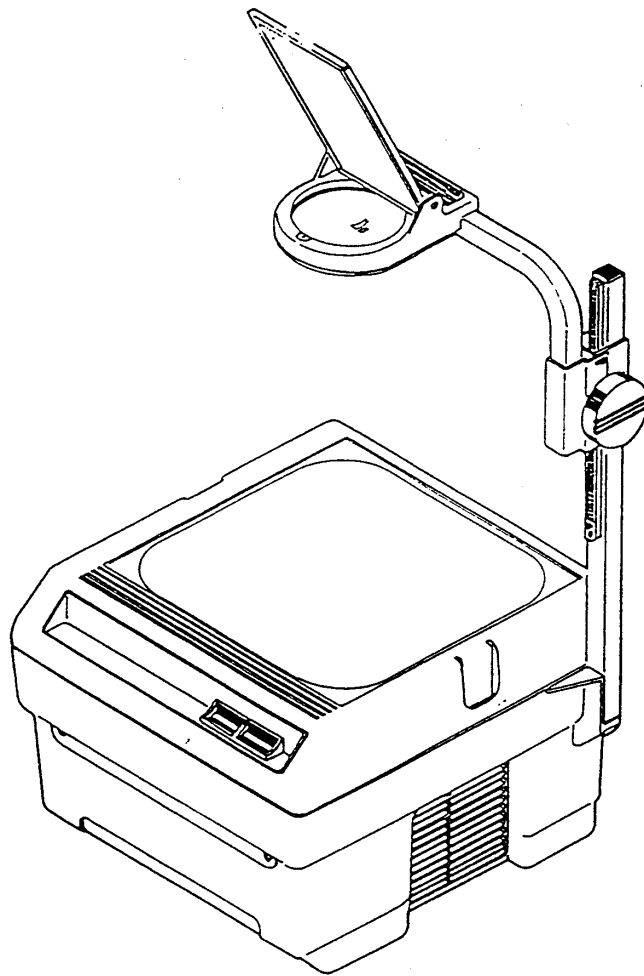


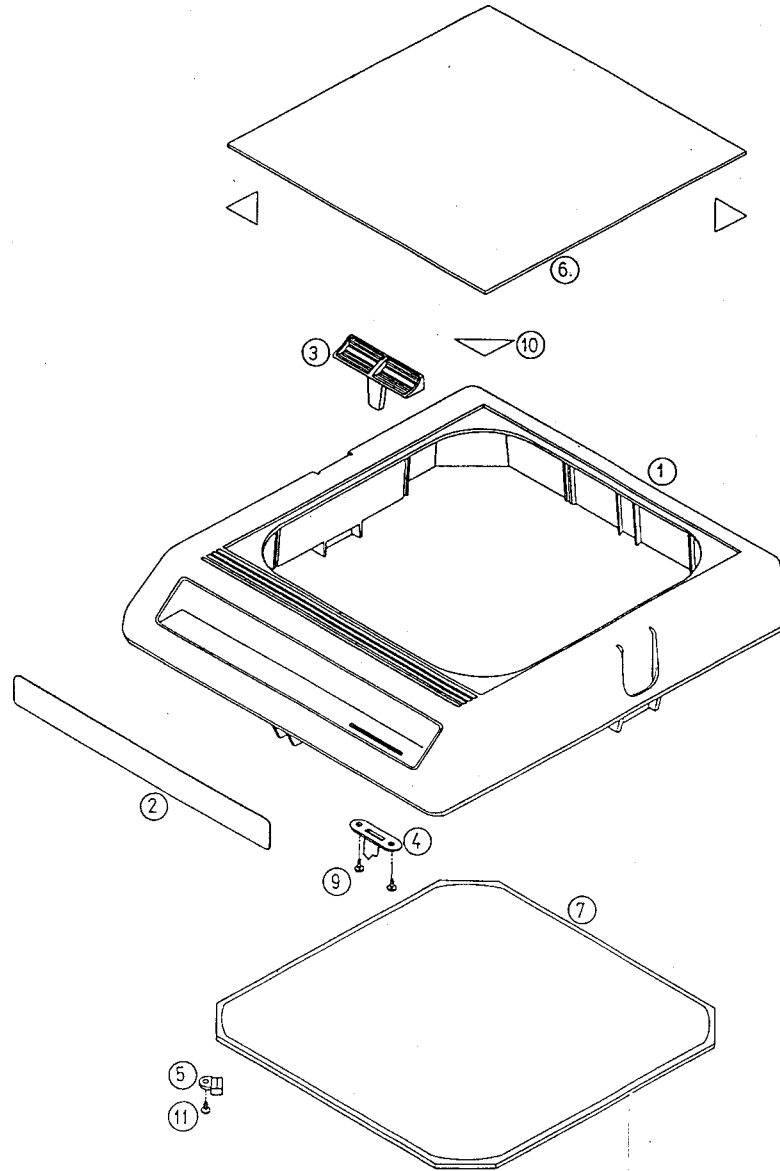
# HORIZON SERIES 15000

---

OVERHEAD PROJECTORS SERVICE MANUAL



**FIGURE 1  
TOP COVER ASSEMBLY**



**041 216 105 COVER ASSY.**

<b>Item</b>	<b>Part number</b>	<b>Identification</b>	<b>Quantity</b>
1	041 116 127	BASIC COVER	1
2	041 116 313	NAME PLATE	1
3	041 116 130	SWITCH LEVER	
4	041 116 131	LEVER WASHER	1
5	041 116 162	FRESNEL LENS FASTENER	2
6	041 116 053	STAGE GLASS PLATE	1
7	041 100 372	FRESNEL LENS 285	1
9	091 021 930	SCREW PT KA*30X8	2
10	755 705 102	DOUBLE COATED FOAM TAPE 3M 4941-25XI,I	0
11	091 041 002	SCREW PT KA*30XI 8	2

Figure 2  
Housing Assembly

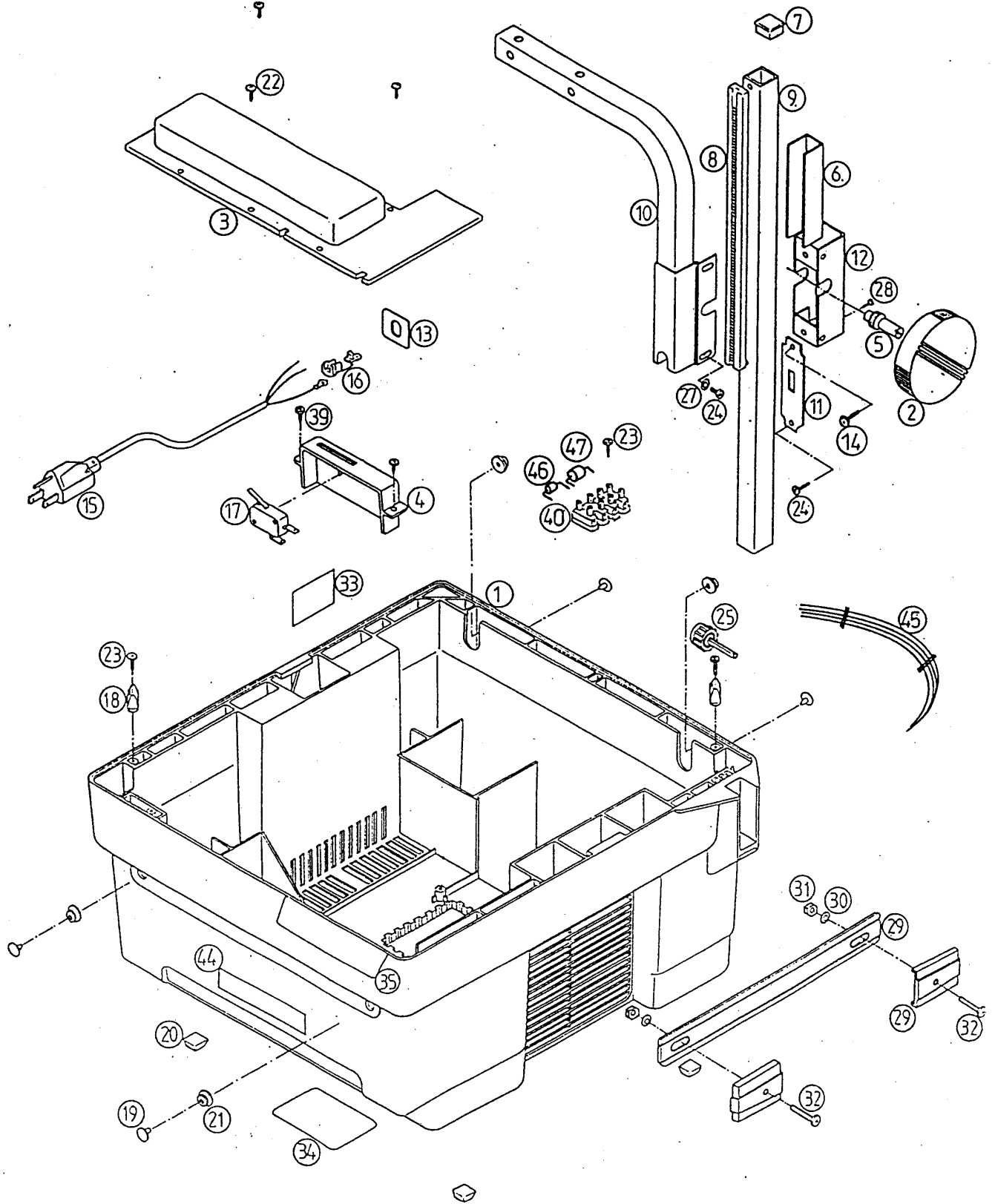
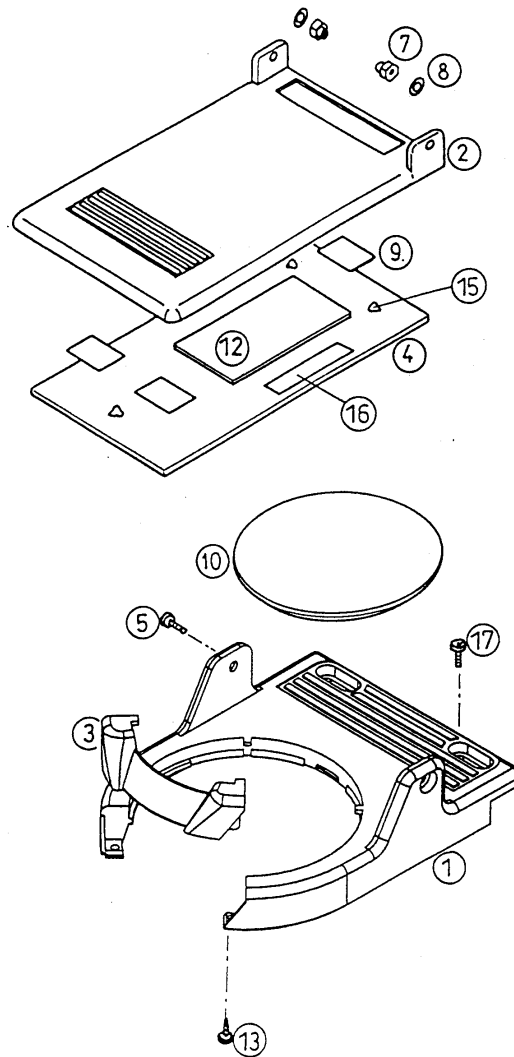


Figure 2

<b>Item</b>	<b>041 216 107 Part Number</b>	<b>HOUSING ASSY. Identification</b>	<b>Quantity</b>
1	041 116 126	HOUSING	1
2,5	041 116 013	KNOB & PINION ASSEMBLY COMPLETE	1
3	041 116 135	CABLE COVER	1
4	041 116 132	MICROSWITCH COVER	1
6	041 100 299	SLIDE LOAD	1
7	041 100 448	CAP	2
8	041 116 401	POST RACK	1
9	041 116 133	POST	1
	900 116 133	POST ASSEMBLY, COMPLETE (ITEMS 7.8.9)	
10	041 216 108	POST MOUNT ARM-OPEN HEAD	1
	041 216 641	POST MOUNT ARM, CLOSED HEAD	
11	041 100 301	SPRING PLATE	1
12	041 216 004	HEAD RETAINER	1
13	041 116 778	STRAIN RELIEF PLATE	1
14	091 018 089	SCREW M4X8	1
15	755 409 058	POWER CORD	1
16	755 429 080	STRAIN RELIEF	1
17	755 303 010	MICROSWITCH CHERRY	1
18	041 116 162	FRESNEL LENS FASTENER	2
19	041 116 223	TUBE PIN	4
20	755 409 046	SELF-STICKING FOOT	4
21	041 116 222	TUBE	4
22	091 021 930	SCREW PT KA*3OX8	3
23	091 041 002	SCREW PT KA*3OXI 8	3
24	091 021 814	SCREW M3X18	5
25	041 216 109	SCREW M5X35	1
27	091 005 156	WASHER *4.3	4
28	091 006 284	RIVET 2XO.2X4	1
29*	755 419 031	HANDLE	1
	900 419 031	HANDLE ASSEMBLY, COMPLETE (Items 29,30,31,32)	
30	091 005 804	WASHER A4,3	2
31	091 004 787	HEXAGONAL NUT M3.5 DIN 934	2
32	091 053 007	SCREW M3,5X25	2
39	091 041 001	SCREW PT KA 3OX10 BN 13577	2
40	631 000 468	TERMINAL BLOCK	1
45	041 216 158	WIRE FORM	1
46	ECO 10 AS	SURPRESOR DIODE P6 KE 40OV,60OW	1
47	623 003 095	DIODE 10A,600V	1

\*Models 15003,15014, 15035 only

Figure 3

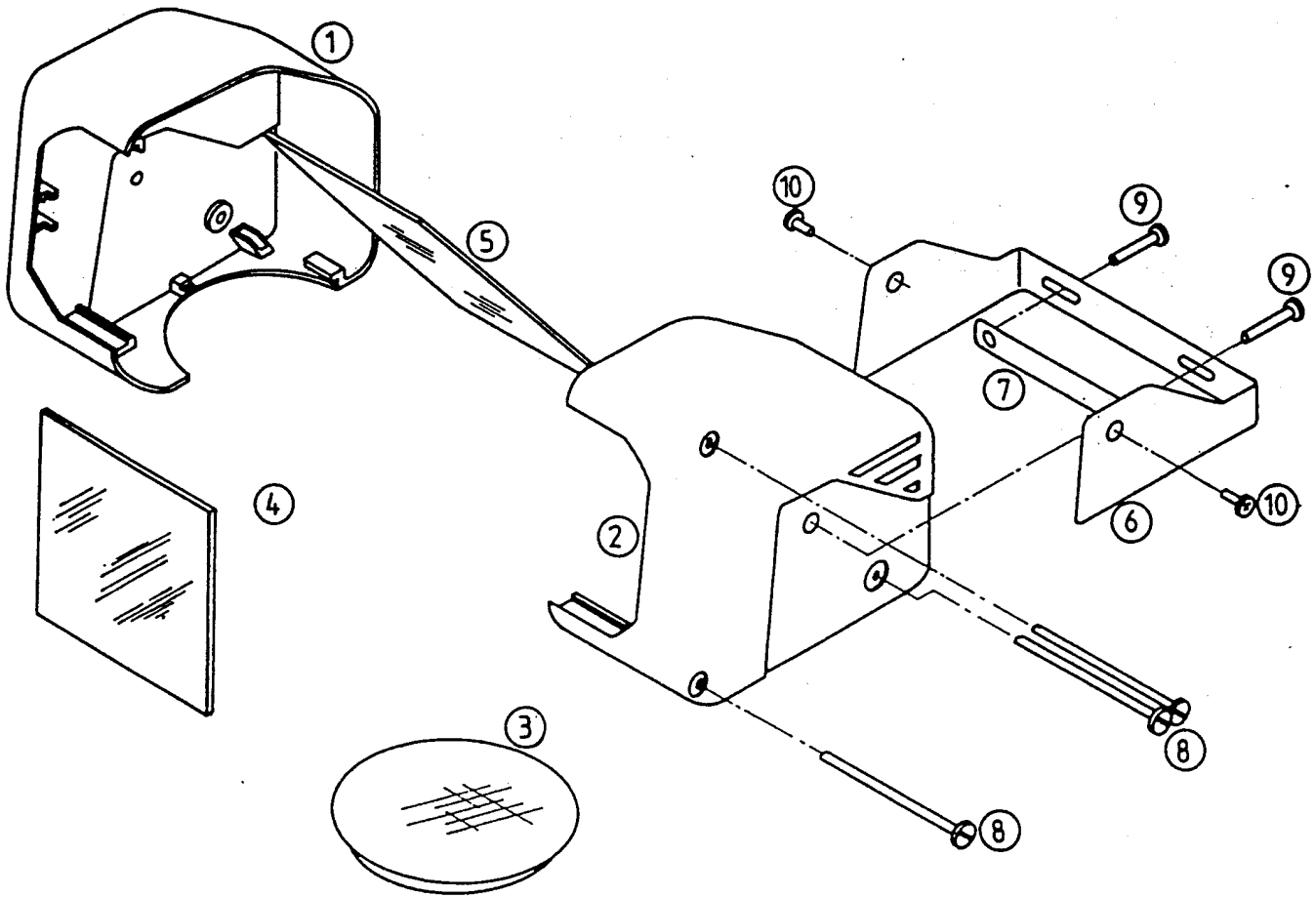


Open head assembly

**PROJECTION HEAD ASSY.**

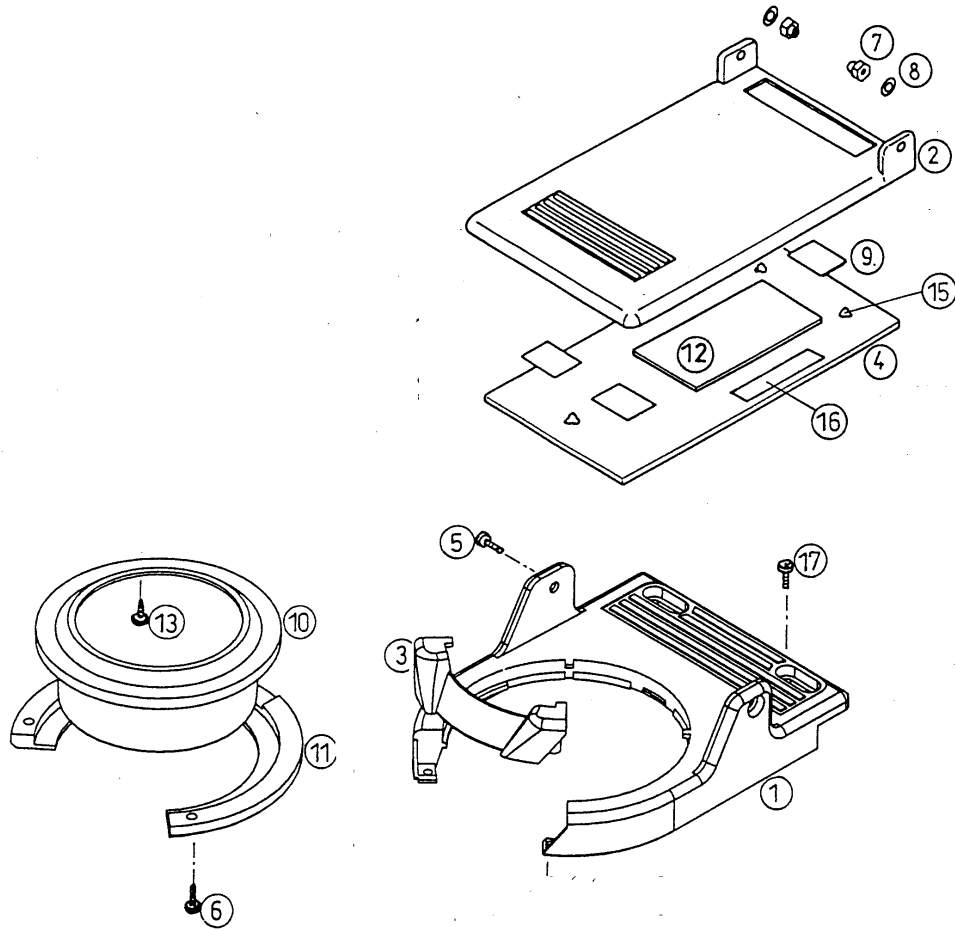
<b>Item</b>	<b>Part Number</b>	<b>Identification</b>	<b>quantity</b>
1	041 116 128	LENS HOLDER	1
2	041 116 129	MIRROR HOLDER	1
3	041 116 725	LENS FASTENER	1
4	041 116 055	MIRROR	1
5	091 018 089	SCREW M4X8	2
7	091 032 101	NUT M4	2
8	091 012 596	WASHER M4-PA	2
9	755 705 017	DOUBLE COATED FOAM TAPE 3M 4945*9XI, I	0
10	041 100 086	SINGLE LENS OBJECTIVE F 295	1
12	041 113 792	HEAT PROTECTOR	1
13	091 044 001	SCREW ST *2,9X9,5, FORM H	2
15	755 703 031	ADHESIVE SEALANT	0
16	755 705 023	SELF-ADHESIVE TAPE*0,05XI9	0
17	091 091 037	SCREW M4X8	2

**Figure 4**  
**Closed Head Assembly**



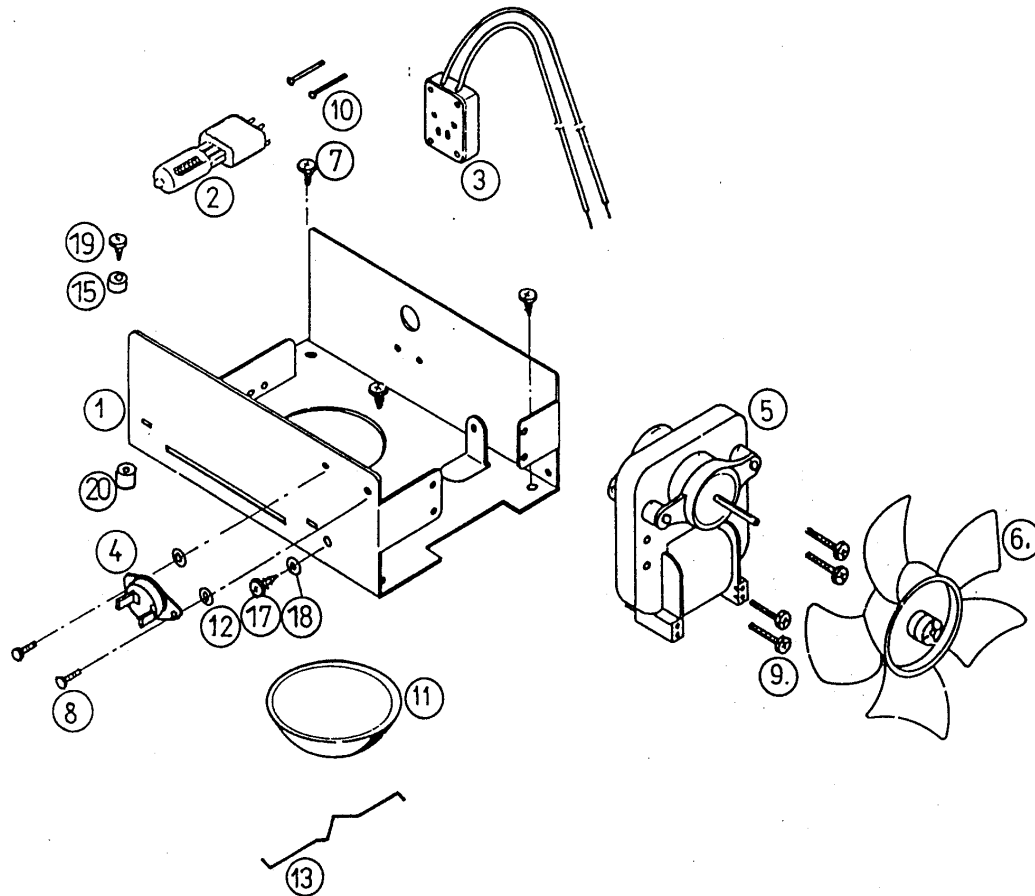
<b>Item</b>	<b>900 100 086CH Part Number</b>	<b>PROJECTION HEAD ASSY. Identification</b>	<b>Quantity</b>
1	041 116 003	PROJECTION HEAD (LEFT)	1
2	041 116 004	PROJECTION HEAD (RIGHT)	1
3	041 100 086	SINGLE LENS OBJECTIVE F 295	1
4	041 116 084	CLOSED HEAD GLASS PLATE	1
5	041 116 056	PROJECTION MIRROR CLOSED HEAD	1
6	041 116 043	HEAD HOLDER	1
7	041 116 020	HEAD PLATE	1
8	091 022 002	SCREW PT KA'30X25	3
9	091 021 934	SCREW M5)(25	2
10	091 022 003	SCREW PT KA*35XIO	2

**Figure 5**  
**Triple Element Lens Assembly**



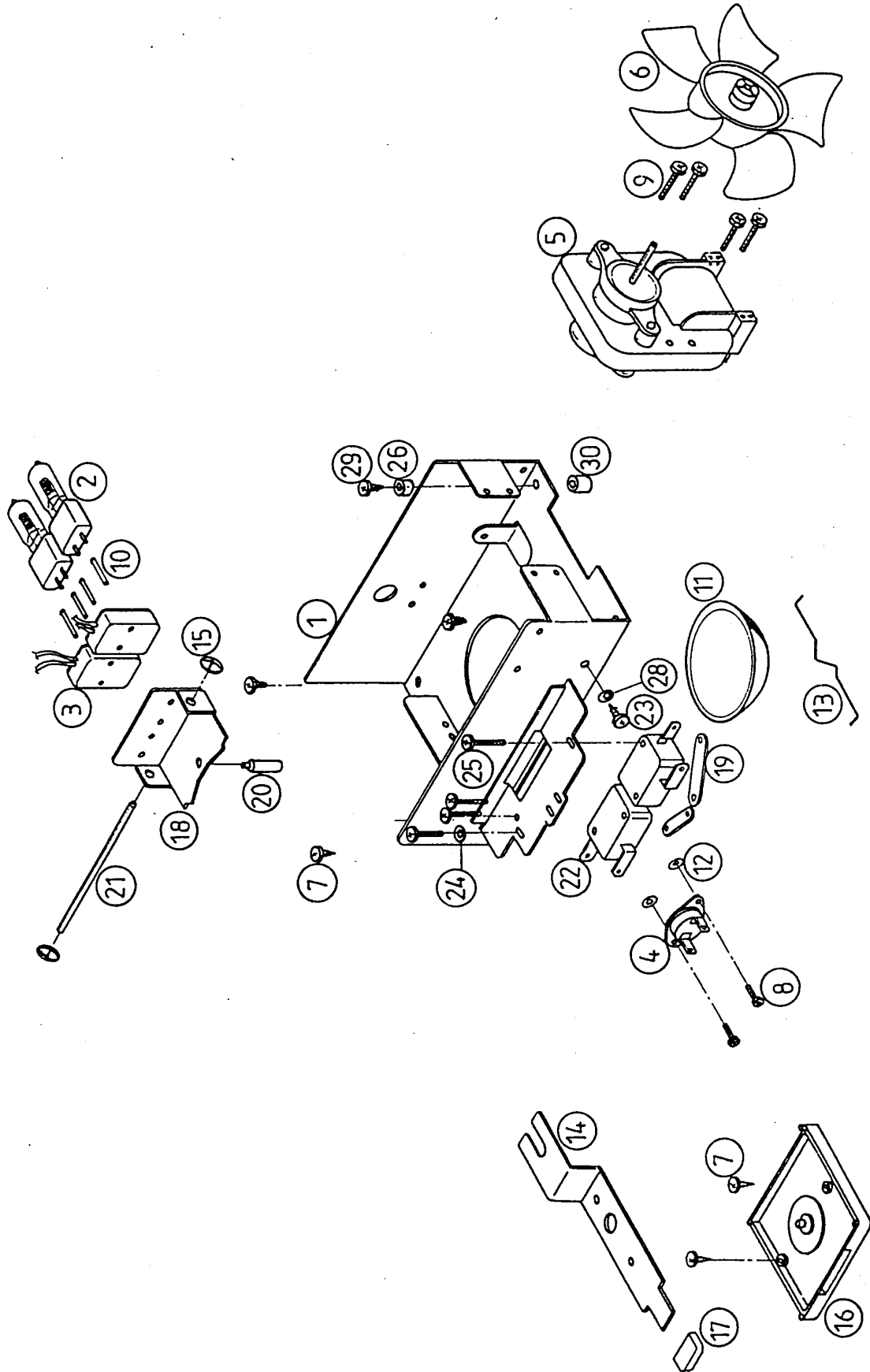
<b>Item</b>	<b>Part Number</b>	<b>Identification</b>	<b>Quantity</b>
1	041 116 128	LENS HOLDER	1
2	041 116 129	MIRROR HOLDER	1
3	041 116 725	LENS FASTENER	1
4	041 116 055	MIRROR	1
5	091 018 089	SCREW M4X10	2
6	091 021 930	SCREW PT KA 30X8	3
7	091 032 101	NUT M4	2
8	091 033 008	WASHER M4-PA	2
9	755 705 017	DOUBLE COATED FOAM TAPE 3M 4945'9XI,I	0
10	041 200 090	OBJECTIVE 3-L F330 HP	1
11	041 116 089	RING	1
12	041 113 792	HEAT PROTECTOR	1
13	091 044 001	SCREW ST *2,9X9,5, FORM H	2
14	041 116 733	HEAT PROTECTOR	1
15	755 703 031	ADHESIVE SEALANT	0
16	755 705 023	SELF-ADHESIVE TAPE*0,05X19	0
17	091 013 283	SCREW M4X8	2

**Figure 6**  
**Lamp Housing Assembly**



<b>Item</b>	<b>041 216 627 Part Number</b>	<b>LAMP MODULE ASSY. Identification</b>	<b>Quantity</b>
1	041 116 134	LAMP HOUSING	1
2	755 409 618	LAMP EYB 36OW/82V	1
3	755 409 633	LAMP SOCKET GX5.3/305mm	1
4	755 409 321	THERMOSWITCH 90 C	1
5	755 409 443	MOTOR BREVEL 117V	1
6	755 409 446	PROPELLER	1
7	091 021 930	SCREW PT KA*3OX8	4
8	091 015 212	SCREW 2,9X6,5	2
9	091 021 844	SCREW M3X14	4
10	091 049 003	RIVET 1,5XO,25X11	2
11	041 103 155	MIRROR AL	1
	041 103 830	MIRROR, GLASS (Light booster version only)	
12	041 103 924	THERMOSWITCH WASHER	1
13	041 103 827	MIRROR SPRING	2
17	091 016 433	SCREW A 3.5X6.5	1
18	091 005 804	WASHER A4,3	1

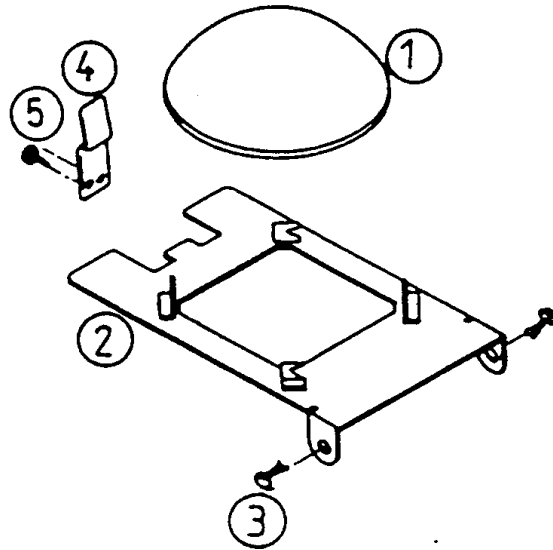
Figure 7  
Lamp Changer Housing Assembly



**Figure 7**  
**Lamp Changer Housing Assembly**

<b>Item</b>	<b>041 216 629</b> <b>Part Number</b>	<b>LAMP MODULE ASSY.</b> <b>Identification</b>	<b>Quantity</b>
1	041 216 099	LAMP HOUSING	1
2	755 409 618	LAMP EYB 36OW/82V	1
3	755 409 633	LAMP SOCKET GX5.3/305mm	2
4	755 409 321	THERMOSWITCH 90 C	1
5	755 409 443	MOTOR BREVEL 117V	1
6	755 409 446	PROPELLER	1
7	091 021 930	SCREW PT KA*3OX8	6
8	091 015 212	SCREW 2,9X6,5	2
9	091 037 003	SCREWM3XI4/10	4
10	091 049 003	RIVET 1,5XO,25XI 1	4
11	041 103 155	MIRROR AL	1
12	041 103 924	THERMOSWITCH WASHER	2
13	041 103 827	MIRROR SPRING	1
14	041 116 781	LC LEVER	1
15	091 045 001	RETAINER *4 BN 833	2
16	041 116 690	LEVER COVER	1
17	041 108 113	GRIP	1
18	041 116 137	LAMP SOCKETS BRACKET	1
19	041 107 213	NUT PLATE M3	2
20	041 116 688	LC PIN	1
21	041 116 218	LC-AXLE	1
22	755 303 015	MICROSWITCH CHERRY	2
23	091 016 433	SCREW A 3.5X6.5	1
25	091 037003	SCREWM3XI4/10	4
28	091 005 804	WASHER A4,3	1
40	631 001 239	TIE WRAP	1

**Figure 8**  
**Light Booster Assembly**



**041 216 133**

**LIGHT BOOSTER ASSEMBLY (Models 15014, 15035 only)**

<b><u>Item</u></b>	<b><u>Part Number</u></b>	<b><u>Identification</u></b>	<b><u>Quantity</u></b>
1	041 116 224	LIGHT BOOSTER	1
2	041 216 100	BOOSTER BRACKET	1
3	724 180 010	CLAMP	2
4	041 116 115	SPRING-BOOSTER BRACKET	1
5	091 021 485	SCREW A 2,9X6,5	2